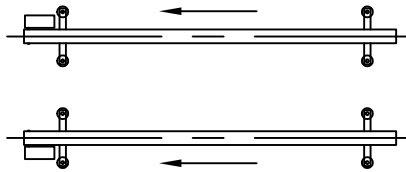
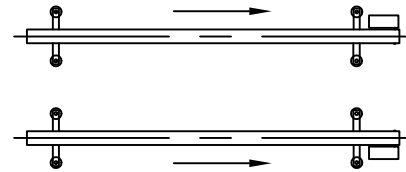


RIGHT-TO-LEFT



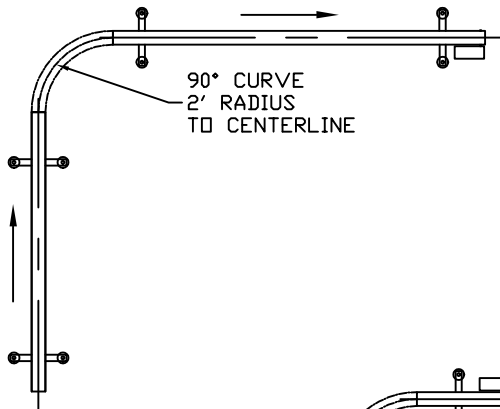
REAR MOTOR MOUNT

FRONT MOTOR MOUNT

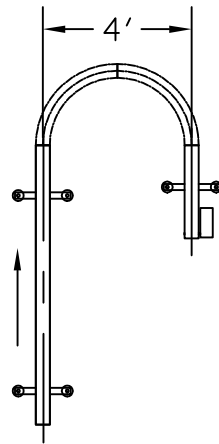


LEFT-TO-RIGHT

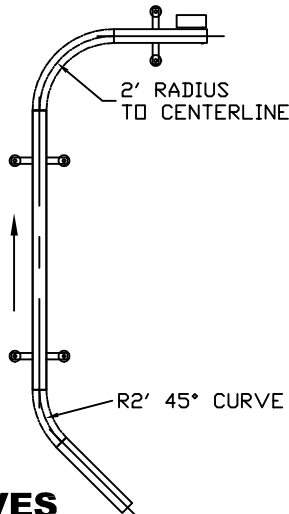
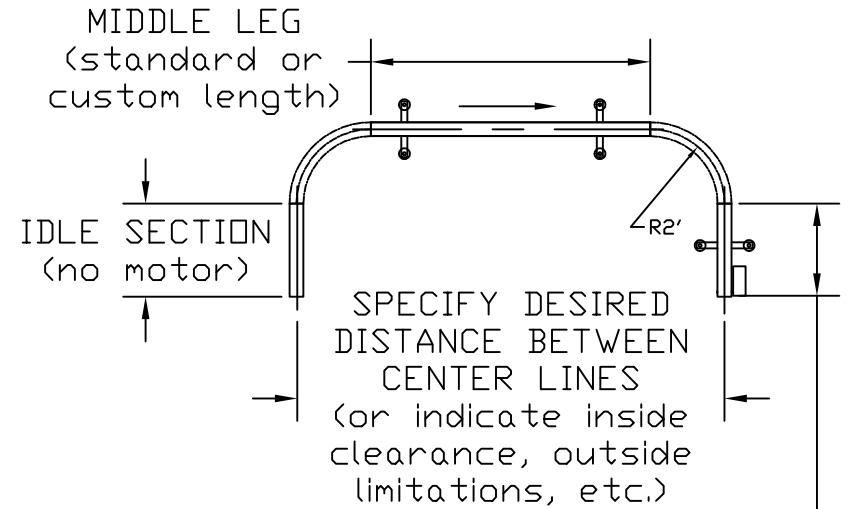
L-SHAPE



180° U-SHAPE

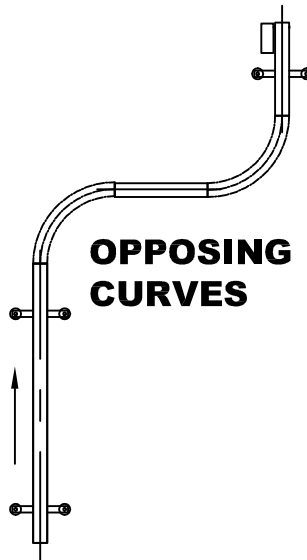


WIDE U-SHAPE



45° CURVES

OPPOSING CURVES



U.S. PACKAGING EQUIPMENT