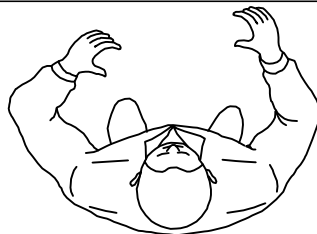
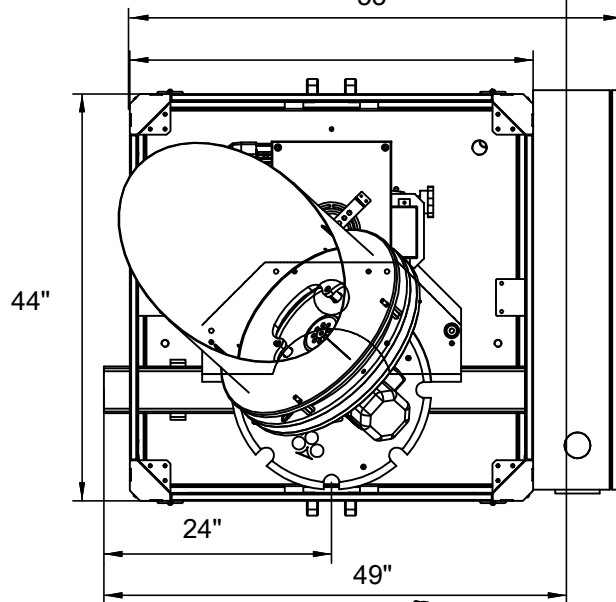
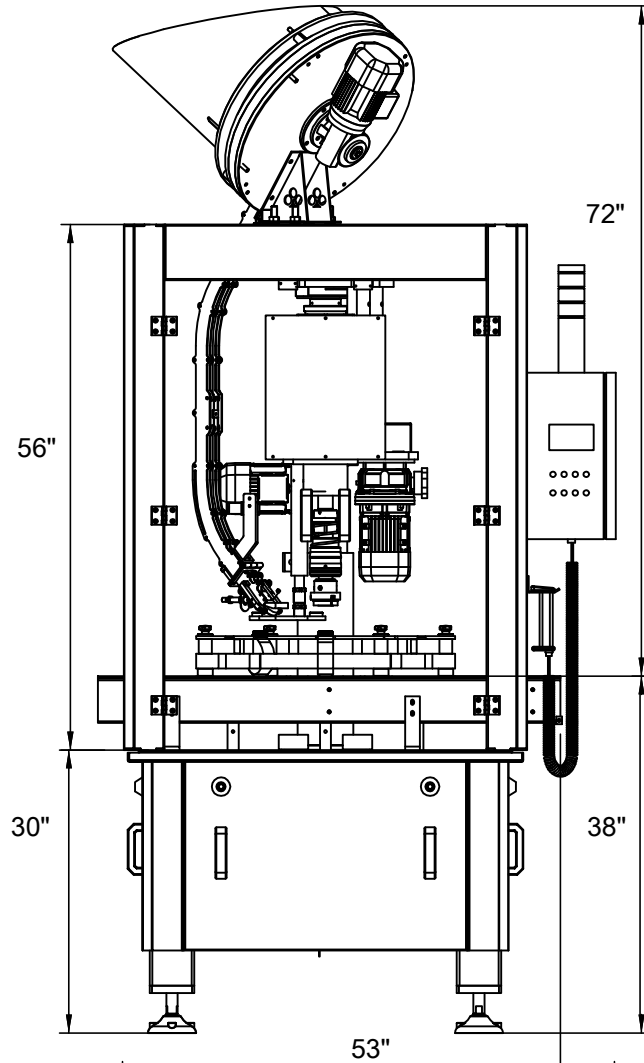




U.S. PACKAGING EQUIPMENT, LLC



U.S. PACKAGING EQUIPMENT
MODEL: CAP4460-1
SINGLE HEAD AUTOMATIC
CHUCK CAPPER