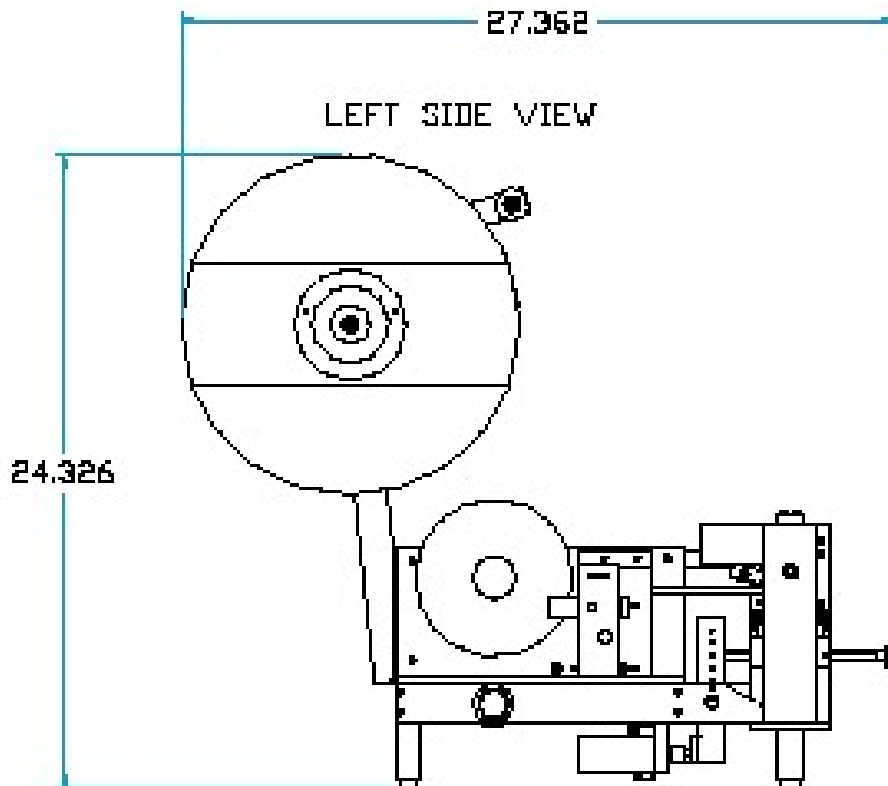




U.S. Packaging Equipment, LLC

R3 Semi-Automatic Round Product Labeling System



Specifications:

Dimensions: 18"W x 32"L x 25 1/4"H.

Product sizes: 1/2" to 6" diameters.

Web width: up to 7 1/8"

Label roll capacity: up to 12" diameter.

Air: 20 psi. minimum.

Weight: 45 lbs.

Electric: 120Vac