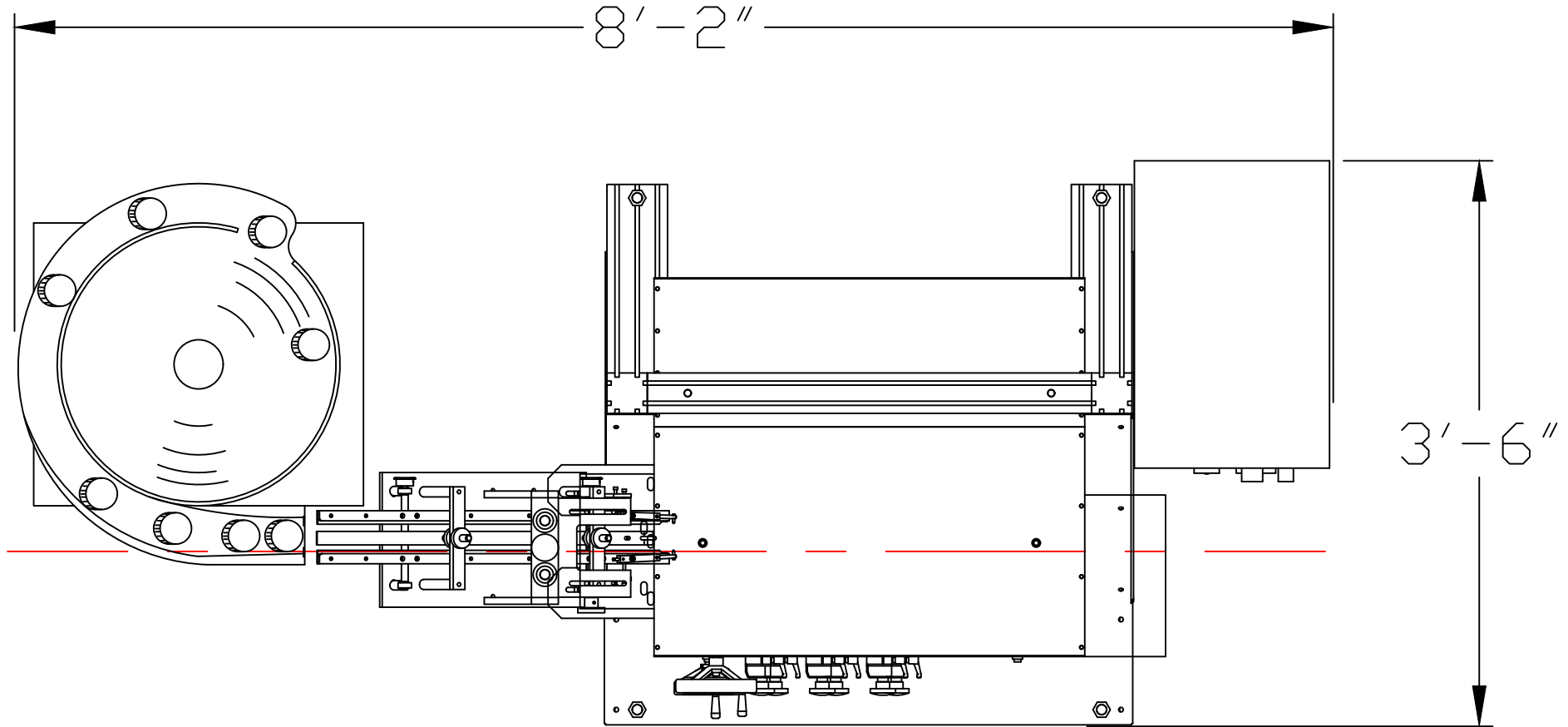


THIS DOCUMENT IS THE EXCLUSIVE PROPERTY OF U.S. PACKAGING EQUIPMENT AND MAY NOT BE USED OR REPRODUCED, NOR ITS CONTENT BY ANY PERSON OR COMPANY WITHOUT THE WRITTEN CONSENT FROM U.S. PACKAGING EQUIPMENT


REVISION DESCRIPTION	DATE	INIT
REV	D/M/YR	INT

DIRECTION LEFT TO RIGHT



CONVEYOR LINE
HEIGHT: 36" +/-2"

APPROVAL DRAWING

DRAWN BY: JB	DATE: 8/10/2017	CHECKED BY:	AUTOMATIC INLINE CAPPER		 U.S. PACKAGING EQUIPMENT PORT CHARLOTTE, FL 708-990-9081 <small>ALL DIMENSIONS ARE IN FEET AND INCHES UNLESS OTHERWISE SPECIFIED</small>	SHEET:
DOOR DIM : _____ ROOM DIM : _____ CEILING HT: _____	SALES ENGINEER	CONTACT #: _____	<input type="checkbox"/> APPROVED <input type="checkbox"/> APPROVED AS NOTED <input type="checkbox"/> RESUBMIT SIGNED _____ DATE _____			