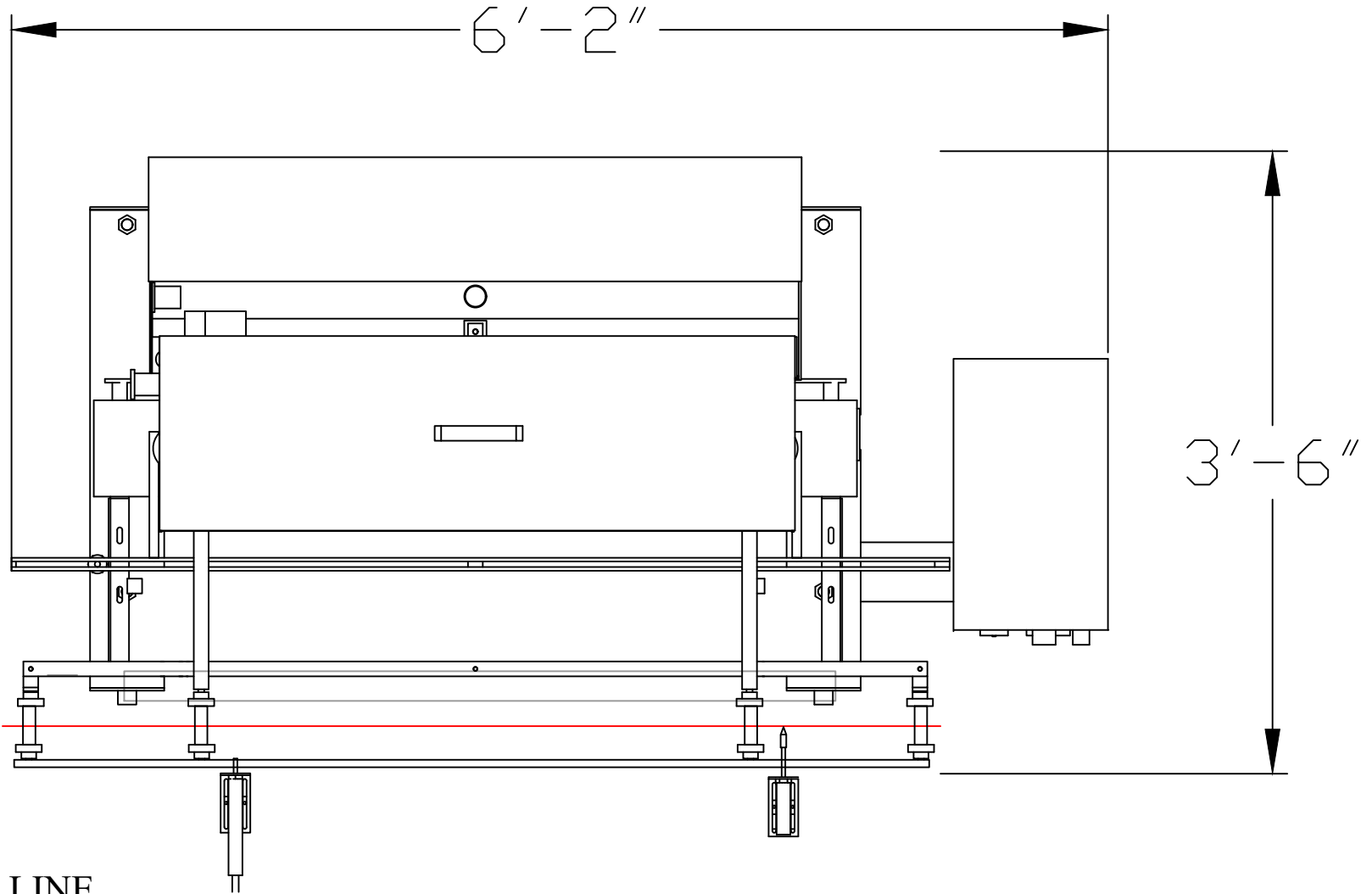


THIS DOCUMENT IS THE EXCLUSIVE PROPERTY OF U.S. PACKAGING EQUIPMENT AND MAY NOT BE USED OR REPRODUCED, NOR ITS CONTENT BY ANY PERSON OR COMPANY WITHOUT THE WRITTEN CONSENT FROM U.S. PACKAGING EQUIPMENT

REVISION DESCRIPTION	DATE	INIT
REV	D/M/YR	INT

← DIRECTION RIGHT TO LEFT




CONVEYOR LINE  
HEIGHT: 36" +/-2"

APPROVAL DRAWING

DRAWN BY: JB	DATE: 8/10/2017	CHECKED BY:
DOOR DIM :	ROOM DIM :	CEILING HT:

<b>PISTON FILLER AUTOMATIC</b>	
SALES ENGINEER	CONTACT #:



**U.S. PACKAGING EQUIPMENT**  
PORT CHARLOTTE, FL 708-990-9081  
ALL DIMENSIONS ARE IN FEET AND INCHES UNLESS OTHERWISE SPECIFIED

SHEET:
<input type="checkbox"/> APPROVED <input type="checkbox"/> APPROVED AS NOTED <input type="checkbox"/> RESUBMIT SIGNED _____ DATE _____