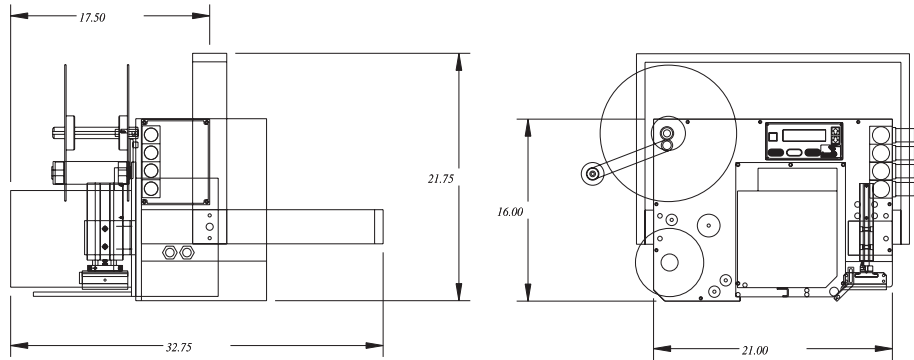


**Model: PA4000 Series**  
**Print and Apply Labeler Applicator**  
 1-Sided Pane  
 Optional:  
 Front Corner - Back Corner -  
 Front and Side



**U.S. PACKAGING EQUIPMENT, LLC**



**PA4000 Printer Applicator Specifications**

<b>Speed</b>	Up to 16 inches per second.	
<b>Accuracy</b>	± 1/32 of an inch with consistent product dimensions	
<b>Control Electronics</b>	Microprocessor Controller	
<b>Label Size</b>	Minimum: Wipe-On: 1/2" by 1"; Tamp or Blow-On: 1" by 1" Maximum: Wipe-On: 6-1/2" by 12"; Tamp or Blow-On: 6-1/2" by 6"	
<b>Electrical</b>	115 VAC, 50/60 Hertz, 5 Amps	
<b>Product Detection</b>	Photoelectric	
<b>Label Capacity</b>	6.5" web width, 12" diameter label roll, 3" core	
<b>Options</b>	Low Label Warning Out of Label Warning Web Break Warning Rate Compensation Label/Product Counter Clear Label Sensor Printer Verification Low Ribbon Out of Ribbon	Three Stage Light Pole 16-inch Unwind 18-inch Powered Unwind