

MACHINE SPECIFICATIONS:

VOLTAGE: 120V/1PH/60HZ - 15AMPS ⊗

NEMA RATING: 12

AIR: 80PSI, 1/2" NPT ⊙

CONSTRUCTION: MILD STEEL

PRODUCT: (xxx)

CONTAINER: (xxx)

CONTAINER SIZE/PACK PATTERN/BPM/CPM:

(xxx)PK - (xxx)L/OZ - (x)L x (x)W x (x)H - (xxx)BPM - (xx)CPM

CASE: RSC

CASE SIZES:

(xx)PK - (xx)L/OZ - (x)L" x (x)W" x (x)H"

QUOTED SPEED: UP TO 20 CPM, 60 FPM

PROJECT DETAILS:

-(xx)

-(xx)

-(xx)

-(xx)

-(xx)

-(xx)

-(xx)

-(xx)

-(xx)

-(xx)

-(xx)

TO BE FILLED IN:

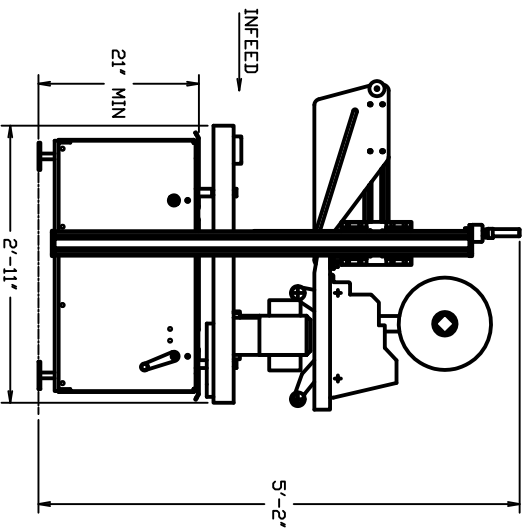
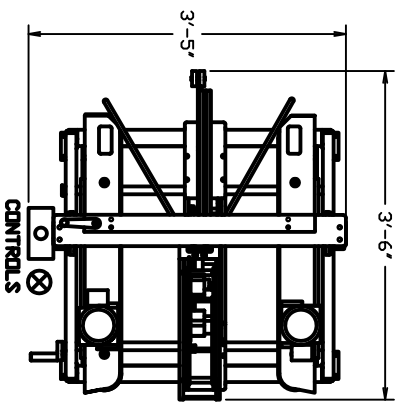
-PRODUCT INFEED ELEV: _____"

(xx)" MIN-(xx)" MAX

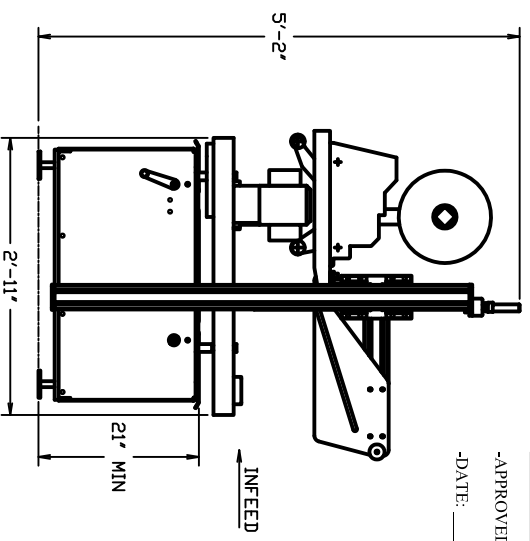
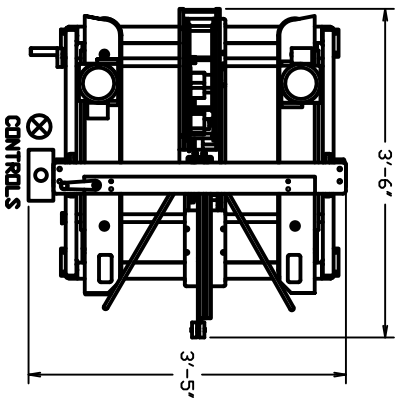
-CASE DISCHARGE ELEV: _____"

(xx)" MIN-(xx)" MAX

RIGHT-HAND



LEFT-HAND



REV.	DATE	DESCRIPTION
Δ	XXXXXX	XXX

APPROVAL SIGNATURE:

-APPROVED BY: _____

-DATE: _____