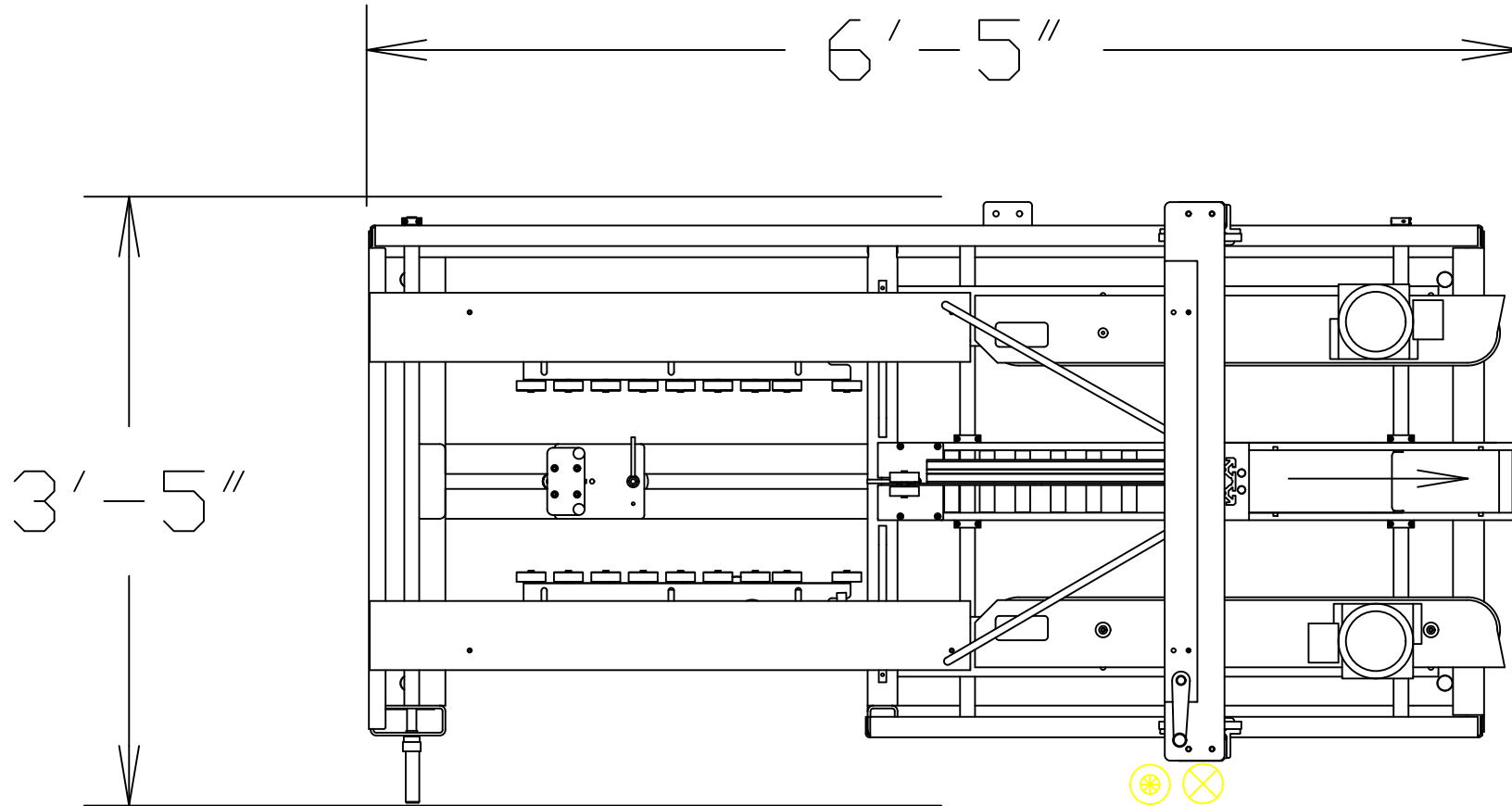


THIS DOCUMENT IS THE EXCLUSIVE PROPERTY OF U.S. PACKAGING EQUIPMENT AND MAY NOT BE USED OR REPRODUCED, NOR ITS CONTENT BY ANY PERSON OR COMPANY WITHOUT THE WRITTEN CONSENT FROM U.S. PACKAGING EQUIPMENT


REVISION DESCRIPTION	DATE	INIT
REV	D/M/YR	INT

DIRECTION LEFT TO RIGHT 



CONVEYOR LINE  
HEIGHT: 32" +/-2"

APPROVAL DRAWING

DRAWN BY: JB	DATE: 8/10/2017	CHECKED BY:	COMPANY: <b>DPI CASE PACKER</b>	 <b>U.S. PACKAGING EQUIPMENT</b> PORT CHARLOTTE, FL 708-990-9081 <small>ALL DIMENSIONS ARE IN FEET AND INCHES UNLESS OTHERWISE SPECIFIED</small>	<input type="checkbox"/> APPROVED <input type="checkbox"/> APPROVED AS NOTED <input type="checkbox"/> RESUBMIT SIGNED _____ DATE _____	SHEET:
DOOR DIM : _____	ROOM DIM : _____	SALES ENGINEER	CONTACT #:			